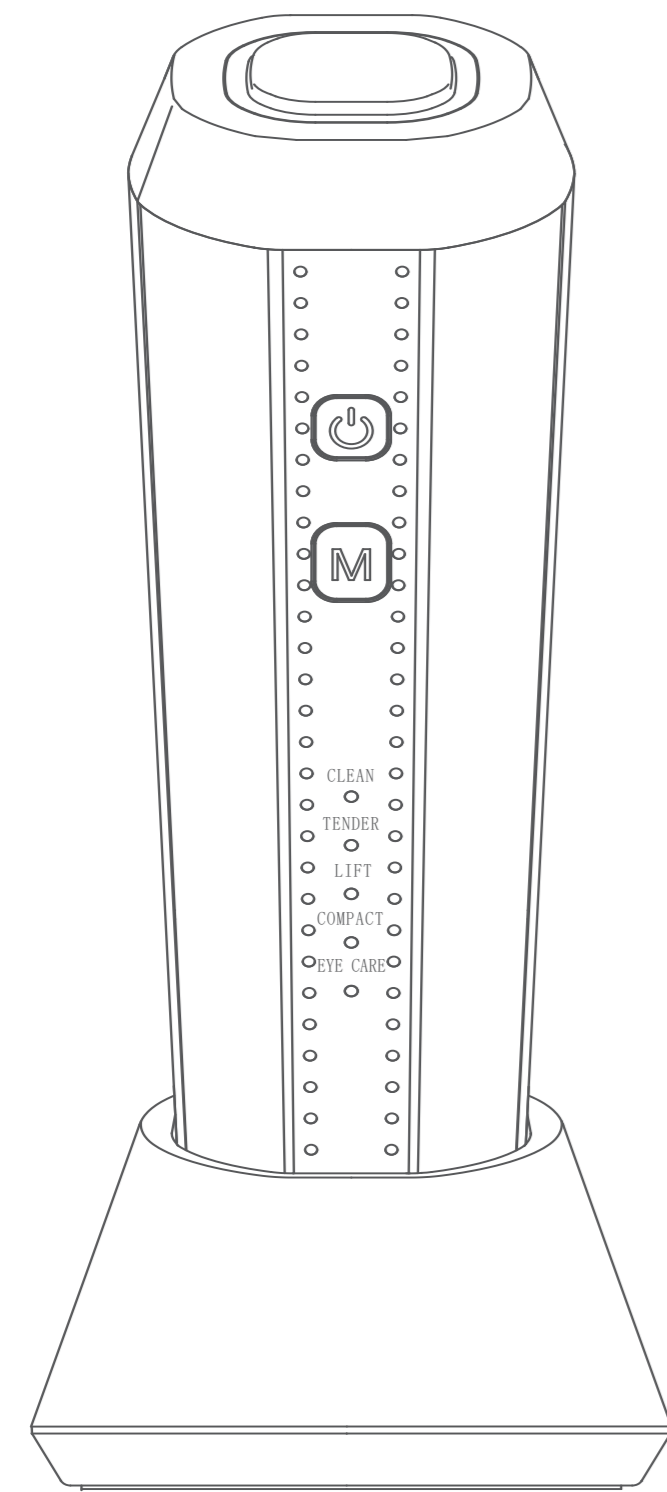


# RevitaGlow

Cleansing and rejuvenating beauty instrument

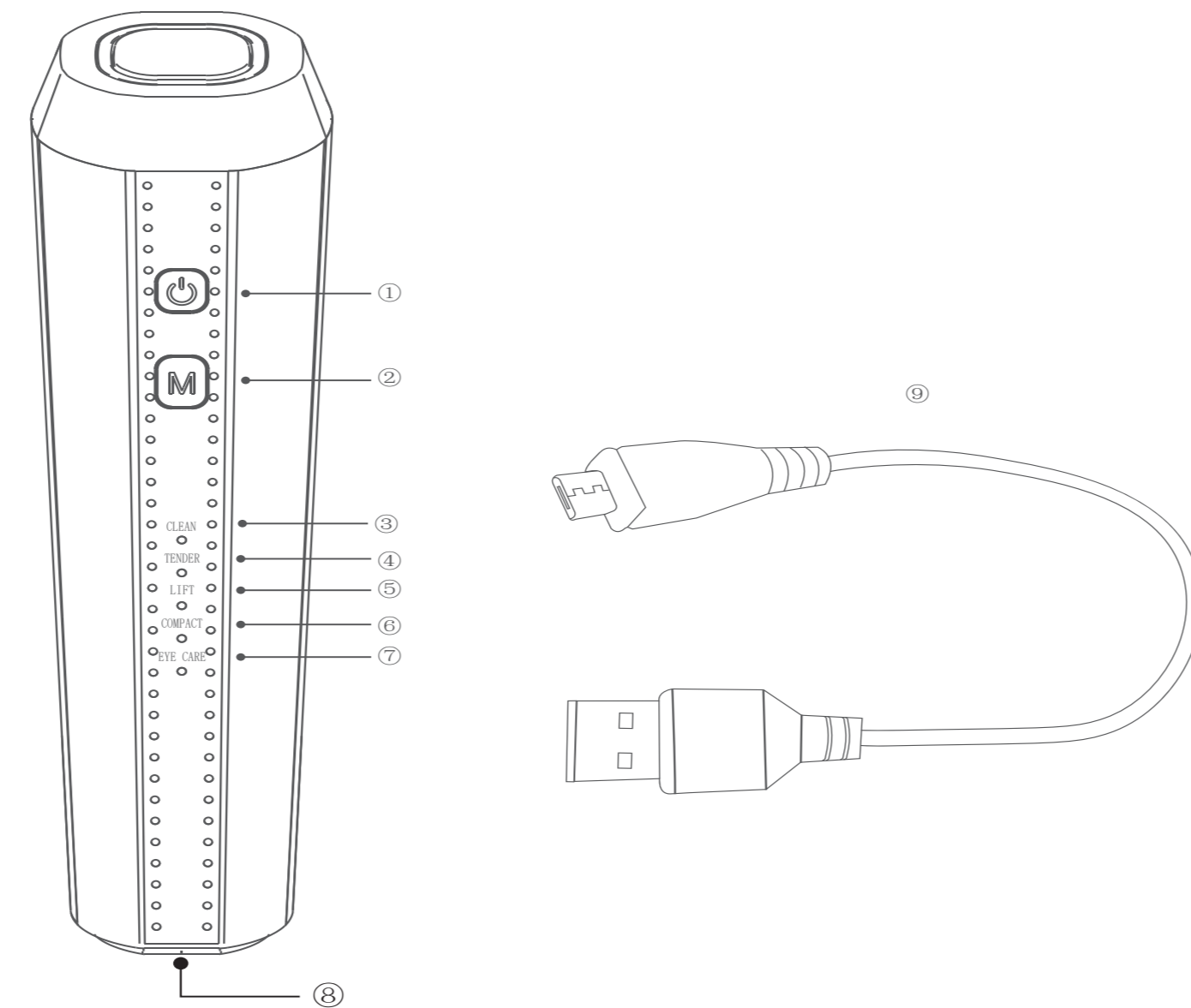
instructions



Please read the manual carefully before use and keep it properly

## Product Introduction

The introduction device is a beauty instrument designed to help the nutrients of skincare products penetrate deep into the skin. Its main functions include four types: promoting the absorption of skincare products by the skin; The second is to balance the acid-base value on the skin; The third is to prevent the accumulation of melanin; The fourth is to refine pores, increase metabolism, and prevent rough skin due to rough pores.



- ① Open key      ② Mode button      ③ Cleaning and rejuvenation mode
- ④ Phototherapy and skincare mode      ⑤ Warm pull mode
- ⑥ Tight lifting mode      ⑦ Eye care mode      ⑧ USB

-1-

## Function Introduction

Cleaning and rejuvenation: Vibration cleaning, achieving the goal of removing and cleaning skin stains, cosmetics residue, etc., and maintaining pore transparency. Phototherapy and skin rejuvenation: vibration+red light, the wavelength of red light can penetrate the human skin to a depth of over 15mm, with multi effect repair power, improving fine lines, fundamentally improving roughness and dullness, and reducing pigmentation. Warm lifting: Integrating heat and light effects (bright blue light), combined with skincare products, it has comprehensive skincare effects, making the skin radiant and the face full and elastic. Tight lifting: vibration+light effect integration (bright purple light)+EMS, reducing muscle atrophy, increasing local blood circulation and muscle re exercise, reducing edema and lifting the tightening effect. Eye care: vibration+heat collection, thermal effect, alleviate eye fatigue, make the eyes achieve a more comfortable state, promote blood circulation around the eyes, fade eye lines and black circles, and make the eyes brighter and more charming.

## Function Description

1. With memory function
2. Long press the key switch on/off button
3. No gear
4. When charging, five white LED lights run and remain on when fully charged
5. Low voltage reminder function, when the battery voltage is below 3.2V, five white LED lights flash and 10 automatically shut down
6. Cleaning and rejuvenation: The motor between the main body and the lamp holder vibrates continuously without any light on
7. Phototherapy and skin rejuvenation: The motor between the main body and the lamp holder vibrates continuously, and the red light is on
8. Temperature sensing lifting: Heating at 40-43 degrees Celsius (iron plate temperature at 50 degrees Celsius),

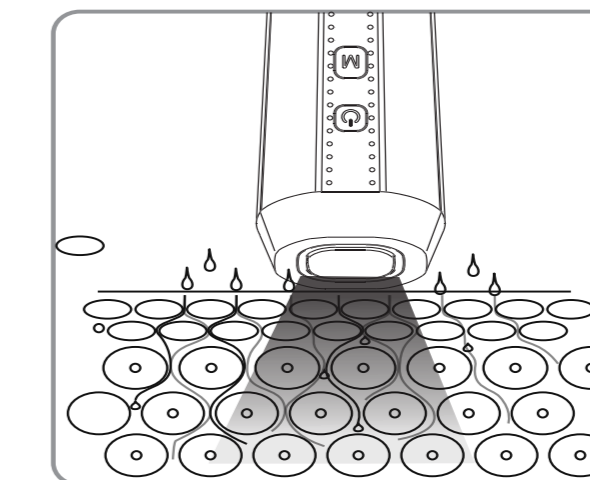
-2-

9. Tight lifting: The motor between the main body and the lamp holder vibrates continuously, and the purple light is on+EMS (emitted by the iron plate and spring)
10. Eye care: The motor between the main body and the lamp holder vibrates continuously without any light on, and the heating temperature is between 39 and 40 degrees Celsius
11. Functions from top to bottom
12. Automatic shutdown after no operation within 5 minutes of each mode

## Usage method

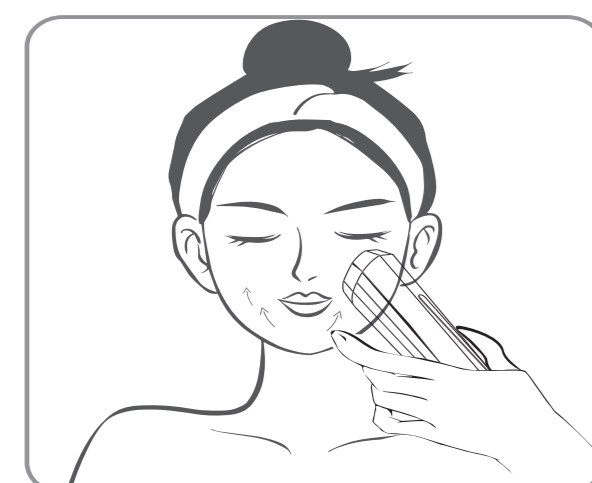


Step 1: First, simply clean the face, remove makeup, and keep the eyes and lips



Step 2: Use it with essence, lotion or moisturizing essence (slightly viscous in texture), and apply firming essence, cream or slightly viscous moisturizing essence

-3-



Step 3: According to the selected function, operate the corresponding parts, including the cheeks and forehead. Massage a set of movements using the technique of drawing an arc outward, and pull the massage head along the facial contour from bottom to top.



Step 4: Frequency of use: Use once a day in the morning and evening, and reduce the frequency of use appropriately for sensitive muscles. Duration of use: use with media (gel, essence or lotion) for no more than 9 minutes/time, sensitive skin for 3-4 minutes/time, skin care product absorption, and facial mask for no more than 9 minutes/time.

## Product parameters

Product name: Cleansing and rejuvenating beauty instrument  
 Product model: 2215  
 Charging voltage: 5V  
 Working current: 0.55A



-4-

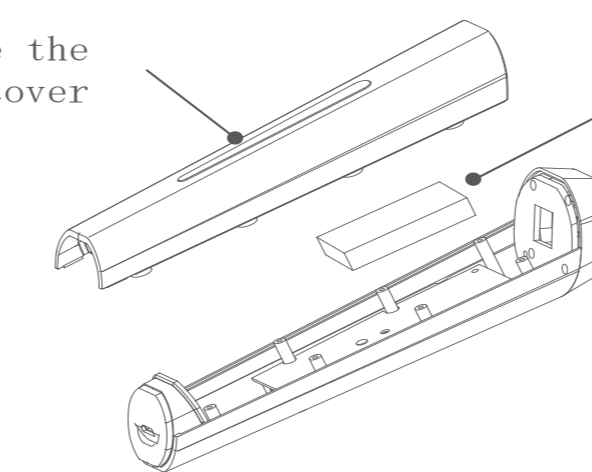
## note

1. Clean the skin with clean water and apply essential oils/creams/creams to areas that require cosmetic treatment.
2. Use for 3-5 minutes each time, daily or every other day.
3. Do not let the electrode tip stay in one area for too long.
4. Remove metal accessories when using micro current mode.
5. The electrode head should be circled or pulled upwards on the area coated with skincare products.
6. It is best to use skincare products with small molecular structures, which are easier to penetrate into the skin.
7. Do not use on the following areas: wounds, acute eczema, bleeding prone diseases, or those with allergic reactions to microcurrent electricity.
8. This product cannot be washed or soaked in water. After use, it can be lightly moistened with a clean cotton towel to clean the head of the instrument.
9. Please place the instrument in a cool and dry place, and do not place it in damp places such as bathrooms, which may cause malfunctions such as short circuits.
10. Please keep it out of the reach of children.
11. Do not store in direct sunlight, high temperature, or

-5-

## Disposal of waste batteries

1. Remove the product cover
2. Remove the product battery



The label on this product, user manual, or packaging indicates that at the end of its service life, it cannot be treated as general household waste. Please consult the local government to recycle and dispose of waste according to its classification. The appliance is equipped with batteries inside, so: --Before abandoning the appliance, the battery must be removed from the appliance; --When removing the battery, the appliance must be turned off and powered off; --Batteries should be disposed of safely; --Users cannot replace batteries themselves. We suggest that you send the product to the official collection point for professional personnel to remove the battery. Removing the battery: Please take necessary safety measures when using tools to open the product and when disposing of the battery. --Run the product until it stops working; --Disassemble the battery of the machine according to the disassembly process above

Guidance and suggestions for the treatment of waste batteries: When this product reaches its service life, according to the laws and regulations of the country or region where it is located, it may be necessary to remove the internal battery for recycling and proper disposal. If you are unable to remove the battery, please hand over the product to the government designated recycling center. This product does not support users to replace batteries on their own. Forcing the battery to be removed may cause damage to the product's functionality. Please operate with caution.

-6-

## After sales maintenance

name: \_\_\_\_\_ Product model: \_\_\_\_\_  
 Contact number: \_\_\_\_\_ Receiving address: \_\_\_\_\_  
 Repair time: \_\_\_\_\_ Return/Exchange Time: \_\_\_\_\_

|                             |  |
|-----------------------------|--|
| Reason for return/exchange: | 1. For returns caused by product quality issues, please contact the merchant;<br>2. Please ensure that it does not affect the secondary sales of the product before returning or exchanging; |
| Reason for repair:          | 3. Please be sure to fill in the correct customer name, contact phone number, shipping address, and reason for exchange, and return the  |

Thank you for your cooperation

Customer needs to know

1. Our company shall not be responsible for any malfunctions, damages, or personal accidents caused by modifications, maintenance, or repairs made by non designated distributors.
2. If non designated original parts are used, our company shall not be responsible for machine malfunctions, damages, or personal accidents.
3. Our company shall not be responsible for any malfunction, damage, or personal accident that may occur to the product unless the precautions and operating methods stated in this user manual are followed.
4. Our company shall not be responsible for any malfunctions, damages, or personal accidents that may occur to the product due to non adherence to the power supply, installation environment, and usage environment specified in this instruction.
5. Our company shall not be responsible for any malfunctions, damages, or personal accidents that may occur to the product due to natural disasters such as